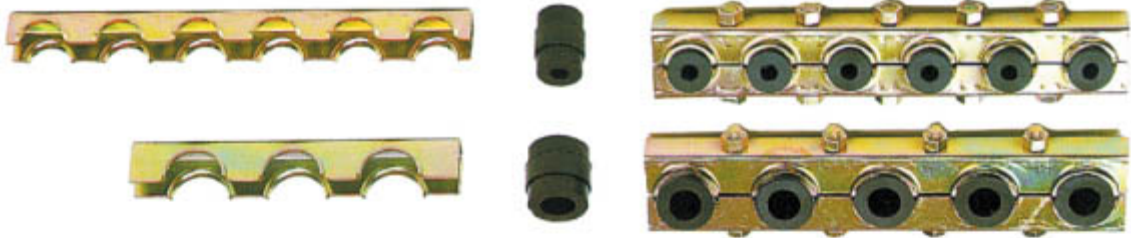
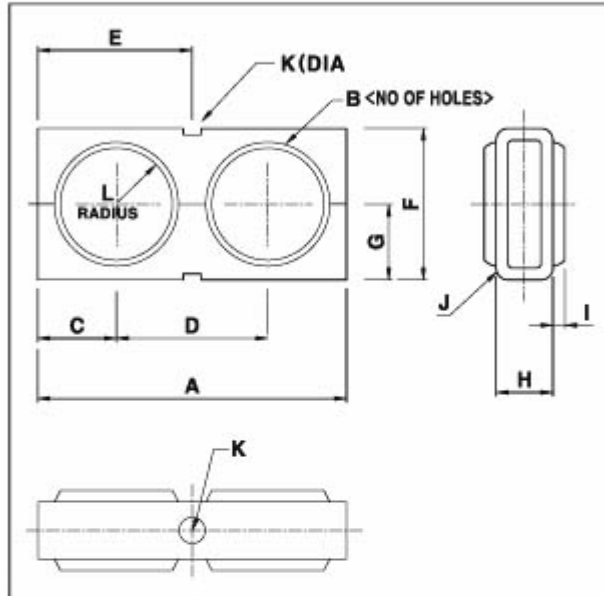


■ STAND MULTI CLAMP



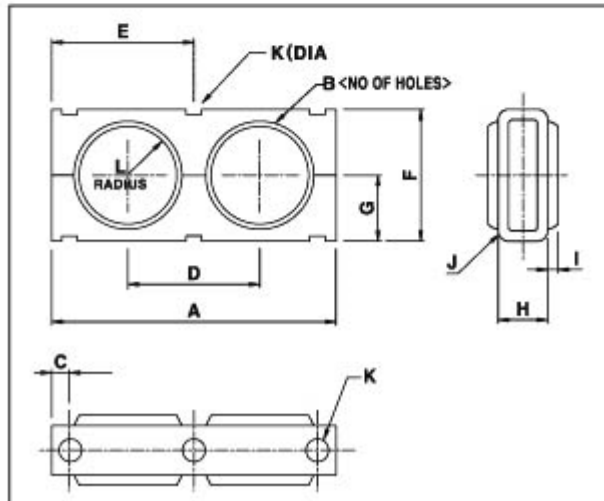
SERIES	PART NO.	A	B	C	D	E	F	G	H	I	K	L
038	MC 1-2	3.0(76.2)	2									
	1-3	4.5(114.3)	3									
	1-4	6.0(152.4)	4									
	1-5	7.5(190.5)	5	0.75	1.5	1.5	1.5	0.75	0.75	0.16	0.34	0.42
	1-6	9(228.6)	6	0.90	1.8	1.8	1.8	0.90	0.90	0.16	0.34	0.42
	1-7	10.5(266.7)	7									
	1-10	15(381)	10									
1-32	48(1.219)	32										
050	MC 2-2	4.0(101.6)	2									
	2-3	6.0(152.4)	3									
	2-4	8.0(203.2)	4									
	2-5	10.0(254)	5	1.0	2.0	2.0	2.0	1.0	0.75	0.16	0.34	0.59
	2-6	12(304.8)	6	1.2	2.4	2.4	2.4	1.2	0.90	0.16	0.34	0.59
	2-24	48(1.219)	24									
075	MC 3-2	6.0(152.4)	2									
	3-3	9.0(228.4)	3									
	3-4	12(304.8)	4	1.5	3.0	3.0	3.0	1.5	1.0	0.25	0.37	1.06
	3-5	15(381)	5	1.5	3.0	3.0	3.0	1.5	1.0	0.25	0.37	1.06
	3-6	18(457)	6									
	3-16	48(1.219)	16									
100	MC 4-1	6(152.4)	1	3	5	5.5	5	2.5	1.374	0.562	0.53	1.75
	4-2	11(279.4)	2	3	5	5.5	5	2.5	1.374	0.562	0.53	1.75



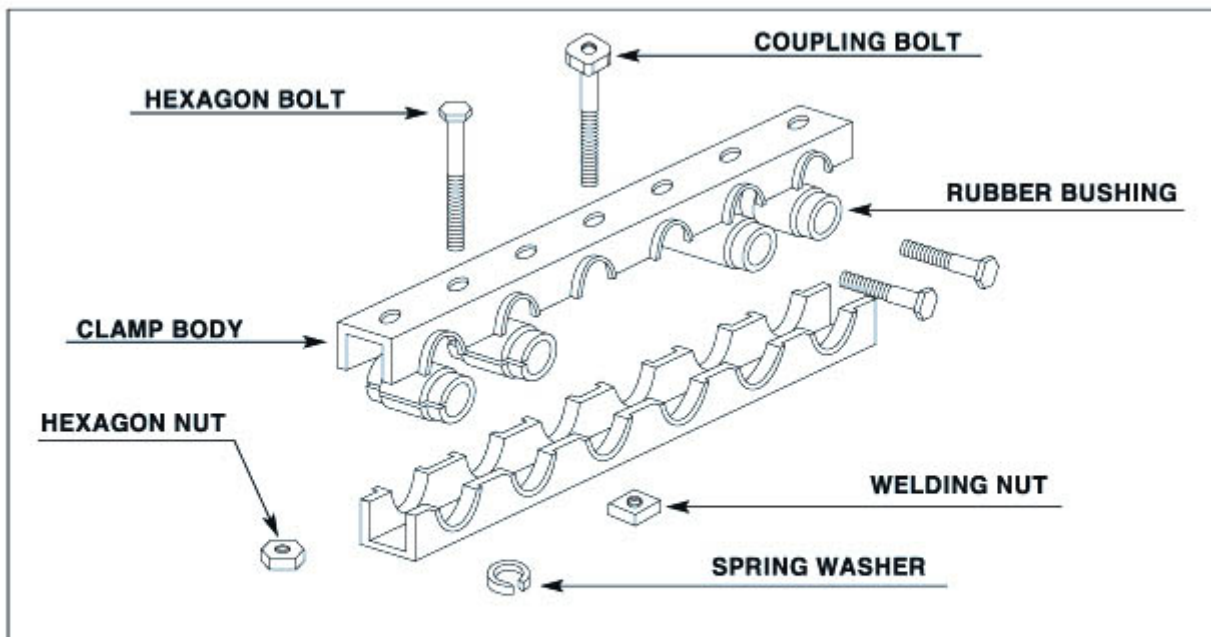
■ OUTSIDE HOLE MULTI CLAMP



SERIES	PART NO.	A	B	D	K	C
038	MC 1-1-2	2.19(55.56)	1			0.34(8.63)
	1-2-3	3.8(96.52)	2			0.39(9.92)
	1-3-4	5.3(134.54)	3	1.5	0.34	"
	1-4-5	6.8(172.64)	4	(38.1)	(8.63)	"
	1-5-6	8.3(210.74)	5			"
050	MC 2-1-2	2.64(67.1)	1			0.34(8.63)
	2-2-3	4.76(121)	2			0.39(9.92)
	2-3-4	6.8(172.6)	3	2.0	0.34	"
	2-4-5	8.8(223.4)	4	(50.8)	(8.63)	"
	2-5-6	10.63(269.9)	5			"
075	MC 3-1-2	4(101.6)	1			0.58(14.7)
	3-2-3	6.86(174.2)	2	3.0	0.37	0.42(10.7)
	3-3-4	9.86(250.4)	3	(76.2)	(9.4)	"
	3-4-5	12.86(326.6)	4			"
100	MC 4-1	6(152.4)	1	5	0.53	0.5(12.7)
	4-2	11(279.4)	2	(127)	(13.5)	"



■ ASSEMBLY DETAILS



■ DIMENSIONS FOR MULTI CLAMP BUSHINGS

SERIES	PART NO.	SIZE	A ϕ	B	C	D	E
038	B-1-3	3/16" T	.172(4.4 ϕ)				
	B-1-4	1/4 T	.234(6.0 ϕ)				
	B-1-5	5/16 T	.297(7.5 ϕ)				
	B-1-6	3/8 T	.359(9.1 ϕ)	.875	.975	1.312	.500
	B-1-8	1/2 T	.484(12.3 ϕ)				
	B-1-10	5/8 T	.609(15.5 ϕ)				
	B-1-12	3/4 T	.734(18.6 ϕ)				
050	B-2-4	1/4 T	.234(6.0 ϕ)				
	B-2-5	5/16 T	.297(7.5 ϕ)				
	B-2-6	3/8 T	.359(9.1 ϕ)				
	B-2-8	1/2 T	.484(12.3 ϕ)				
	B-2-10	5/8 T	.609(15.5 ϕ)	1.250	1.350	1.312	.500
	B-2-12	3/4 T	.734(18.6 ϕ)				
	B-2-14	7/8 T	.859(22 ϕ)				
	B-2-16	1" T	.984(25 ϕ)				
	B-2-4-P	1/4 P	.516(13.1 ϕ)				
	B-2-6-P	3/8 P	.656(16.7 ϕ)				
	B-2-8-P	1/2 P	.813(20.6 ϕ)				
B-2-12-P	3/4 P	1.031(26.2 ϕ)					
075	B-3-4	1/4 T	.234(6.0 ϕ)				
	B-3-6	3/8 T	.359(9.1 ϕ)				
	B-3-8	1/2 T	.484(12.3 ϕ)				
	B-3-10	5/8 T	.609(15.5 ϕ)				
	B-3-12	3/4 T	.734(18.6 ϕ)				
	B-3-14	7/8 T	.859(22 ϕ)				
	B-3-16	1" T	.984(25 ϕ)				
	B-3-20	1 1/4 T	1.234(31.3 ϕ)				
	B-3-24	1 1/2 T	1.484(37.7 ϕ)	2.187	2.300	1.750	.687
	B-3-28	1 3/4 T	1.734(44 ϕ)				
	B-3-32	2 T	1.984(49.3 ϕ)				
	B-3-4-P	1/4" P	.516(13.1 ϕ)				
	B-3-6-P	3/8 P	.656(16.17 ϕ)				
	B-3-8-P	1/2 P	.813(20.6 ϕ)				
	B-3-12-P	3/4 P	1.031(26.2 ϕ)				
B-3-16-P	1" P	1.297(32.9 ϕ)					
B-3-20-P	1 1/4 P	1.641(41.7 ϕ)					
B-3-24-P	1 1/2 P	1.875(44.5 ϕ)					
100	B-4-16-P	1	1.297(32.9 ϕ)				
	B-4-20-P	1-1/4	1.644(41.7 ϕ)	3.50	3.658	3.149	0.944
	B-4-24-P	1-1/2	1.884(47.8 ϕ)	(ϕ 89)	(ϕ 98)	(ϕ 80)	(ϕ 24)
	B-4-32-P	2	2.359(60 ϕ)				
	B-4-40-P	2-1/2	2.859(72.6 ϕ)				

